

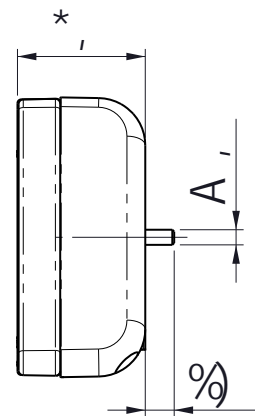
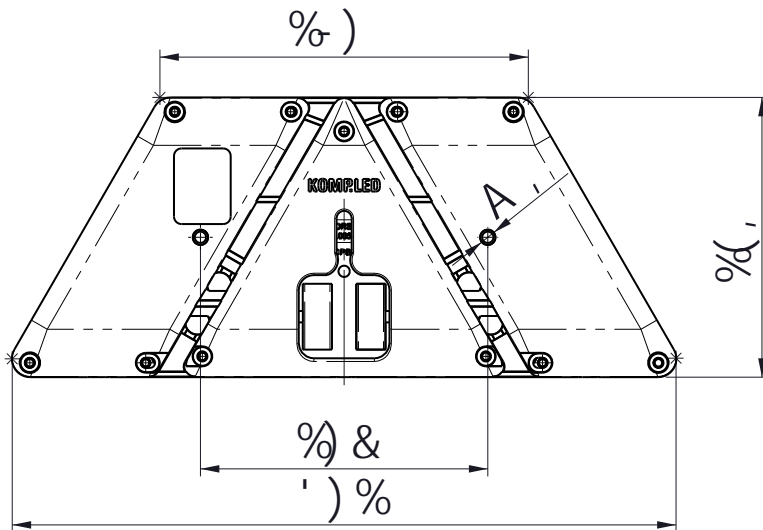
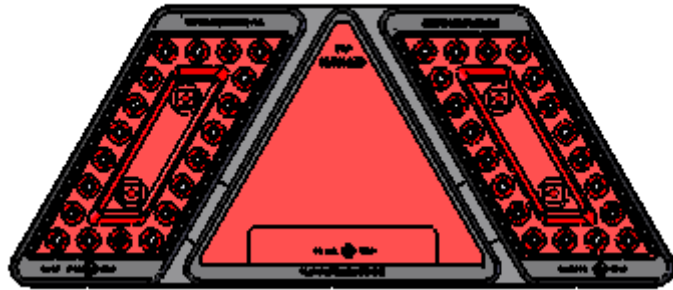
D

E

F

G

H



fU YR YbXi b[ gVYfY]MŁ		fN "5Vk Ł		fC VYZ) M YE	A UEgtUV % (	fI Yk ]M Ł
					fK Yf gtc ZZ < UVnYi [ Ł	
					fC \fW ]B Ł	
					fA cXY ? cXYf; Yg/b_IB Ł	
					fBybYbbi b[ Ł	
		8UH a		BUa Y	585DH9F D5FC !D5FC	
		6YUAV"		\$- \$) "%	?5H5 @;	
		; YdP				
		Bcfa				
					fN ]M bi b[ gbi a a Y Ł	6Uth %
					? > (! \$ % \$' "\$ %	5 (
\$%	J Yfa Ugg' GM "8"	\$- \$) &&	BUi	KOMPLET LightSystems GmbH		
N gH	s bXYfi b[	8UH a	BUa "	I fgdP	9b/k "Bf.	9fg' Xi fM.